

# The Dingo System



The Dingo is a smart solar controller that can expand as your needs grow.

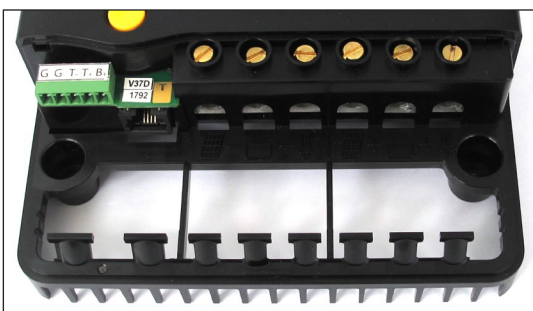


The Dingo 20/20 is the next generation solar charge controller from Plasmatronics. We have taken the best features of the PL series controllers, drawn on our extensive industry experience and created a controller that's in a class of its own.

- Reliable, easy to understand, one button interface and proven, easy to learn menu structure.
- Symmetrical charge and load currents, both 20A.
- Industry standard four stage charging regime.
- 12,24,32,36 and 48V selectable. Only one controller to stock.

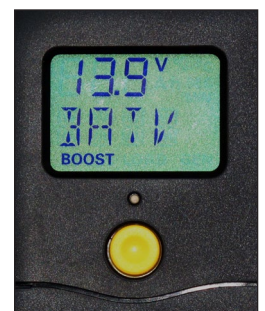
- **Takes the heat**  
Full charge and full load current in 50°C heat. All day, every day.
- **Local Service**  
Fast, reliable, affordable, Plasmatronics service. Long after the warranty ends.
- **Hidden Wiring**  
All the wires are covered.

- **Negative Ground.** Easier to use in vehicles and easier to understand for people used to working with vehicle electric systems.
- **More terminals.** A terminal for every wire. Wiring is simpler and quicker.
- **More Data** 512 days storage

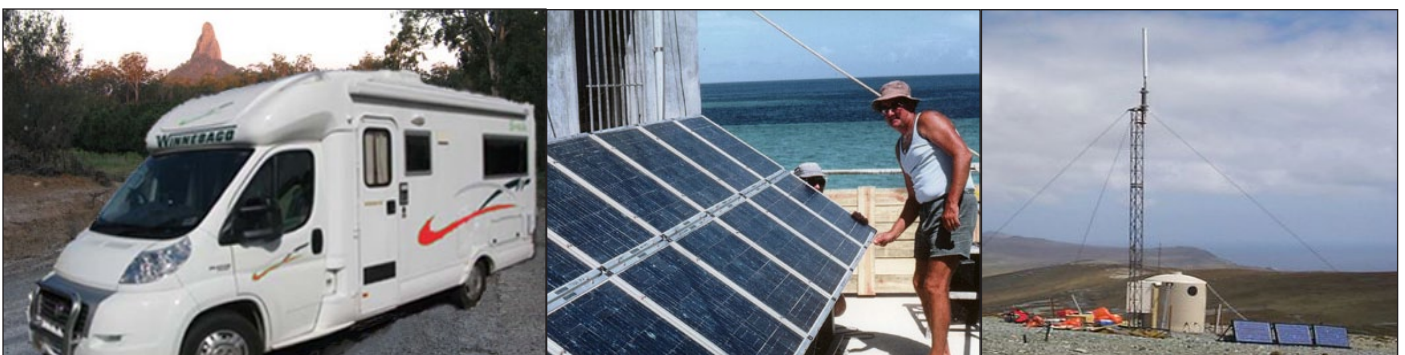


Roomy termination area with wire tie posts

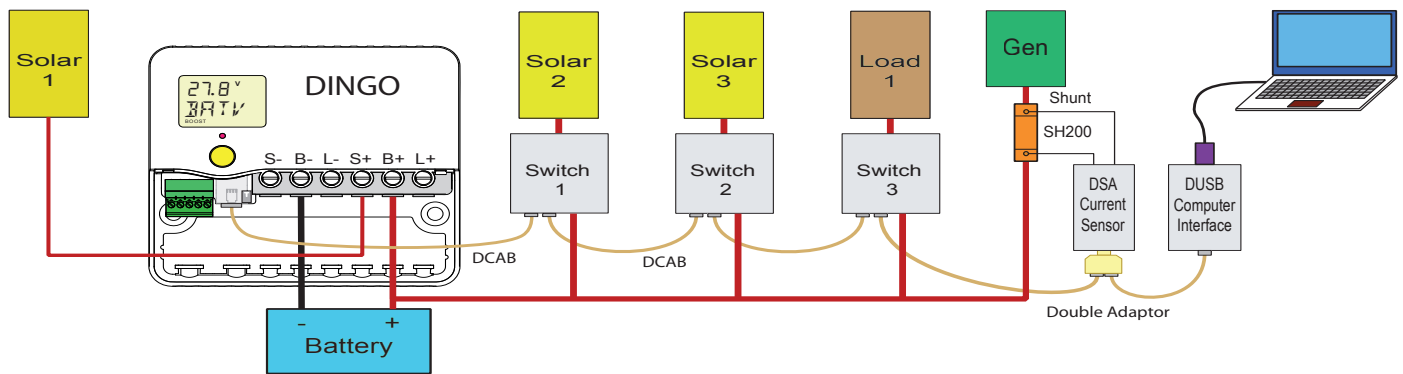
- **New Communications Bus.**  
Rugged new bus uses the MODBUS protocol (industry standard)
- **Enhanced one button interface**  
Now with *Reverse gear* for adjustment downwards and *Fast Forward*.
- **LED backlighting** for the display



Enhanced Display



# Meet the Members of the Team



## Dingo 2020 Controller 12-48V 20A Charge 20A Load



The Dingo series of solar controllers is exceptionally versatile. They give the user unparalleled capability to adjust the function of the controller and to monitor the performance of the energy system. For detailed information, download the Dingo reference manual from our website. ([www.plasmatronics.com.au](http://www.plasmatronics.com.au))

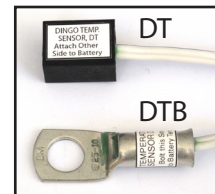
Size: 157x124x52mm (in box)  
 Weight: 482g (in box)  
 RRP: \$335.50 inc. GST.

## Measuring other currents - the DSA External Shunt Adaptor



The DSA reads external charge or load currents. Range 0-255A (0.1A steps, bidirectional). It's isolated - insert anywhere. Max. 4 per system. Supports 75mV/200A, 50mV/100A & 100mV/100A shunts. (Includes a DCAB cable)

RRP \$161.70 inc. 180g Box 146x129x57mm  
**SH200 Shunt 75mV/200A**  
 RRP \$55 inc. 290g 160x45x32mm



**Battery Temperature Sensors.**  
 DT 52g RRP \$29 inc  
 DTB 60g RRP \$29 inc  
 (with 3m cable)

**DCAB** 3m bus cables RRP \$17.60 inc  
**Double Adaptor** RRP \$6 inc.

## Communications - the DUSB & D232



The DUSB provides a USB interface to a computer. This allows the user to download data from the controller and change settings if required. The D232 provides an RS232 interface (DTE) designed for remote computer access via a modem.

(Both are electrically isolated and do not require a separate power supply)

**DUSB** RRP \$93 inc. Box 146x129x57mm 240g (includes DCAB cable & PRISM monitor software)  
**D232** RRP \$93 inc. Box 146x129x57mm 192g (includes DCAB cable & PRISM monitor software)

## New team members in development: Switchblock, Remote control

Available from your distributor or direct from Plasmatronics Pty Ltd. ph 03 9486 9902  
 fax 03 9480 3022. For more information go to [www.plasmatronics.com.au](http://www.plasmatronics.com.au)