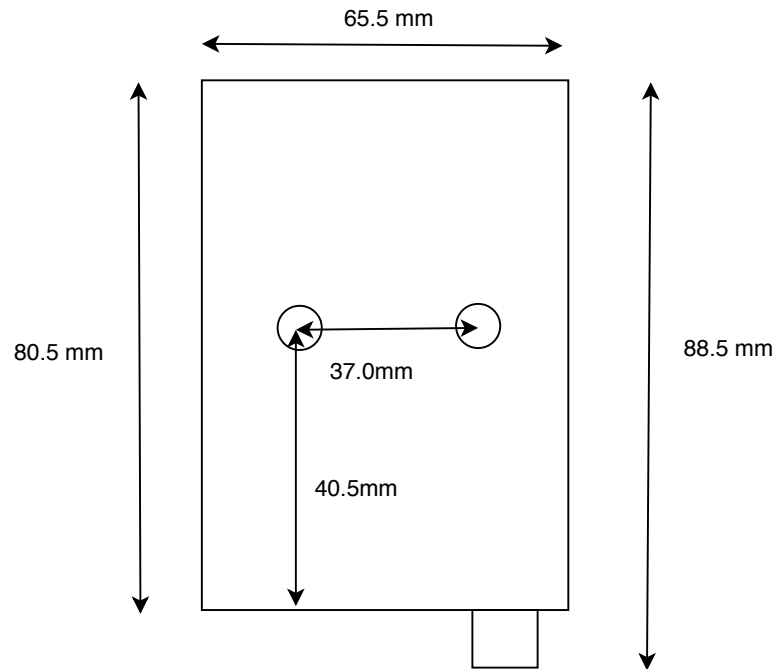
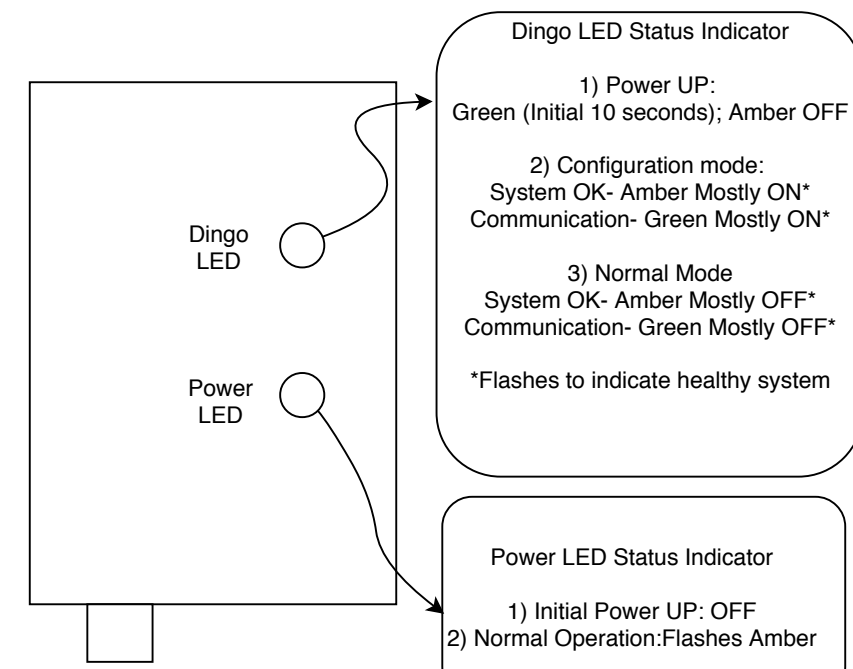


DNET Mechanical Diagram and Four LED Indicators v1.1



3.0mm Diameter Mounting Holes
(Bottom View)



Dingo LED Status Indicator

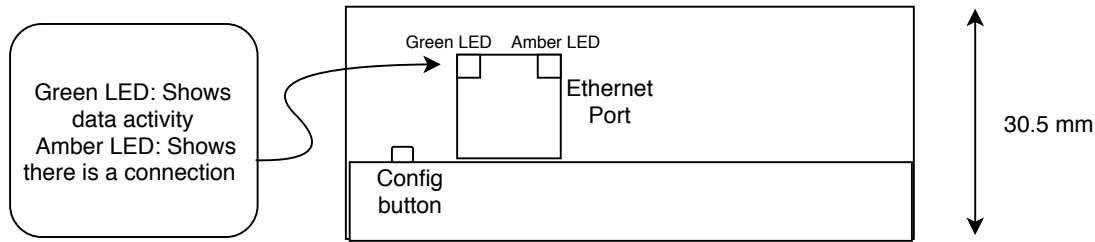
- 1) Power UP:
Green (Initial 10 seconds); Amber OFF
- 2) Configuration mode:
System OK- Amber Mostly ON*
Communication- Green Mostly ON*
- 3) Normal Mode
System OK- Amber Mostly OFF*
Communication- Green Mostly OFF*

*Flashes to indicate healthy system

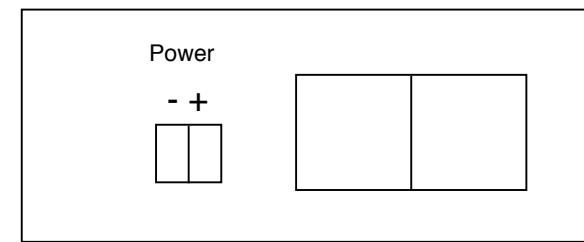
Power LED Status Indicator

- 1) Initial Power UP: OFF
- 2) Normal Operation: Flashes Amber

Indicator Lights (Front Panel):
Dingo and Power
(Top View)



Indicator Lights (Ethernet Port):
Green and Amber
and Configuration Button
(Side View)



Green Terminal Block (Removeable)
for the Power +/- Input and
RJ Sockets for DCAB
(Side View)