

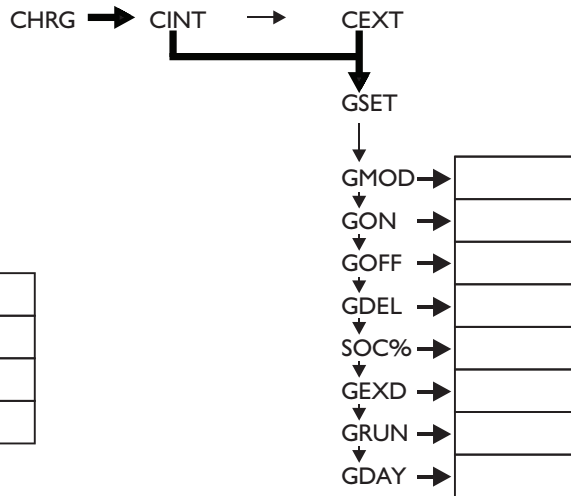
A.6.1 System Settings

Date: / /

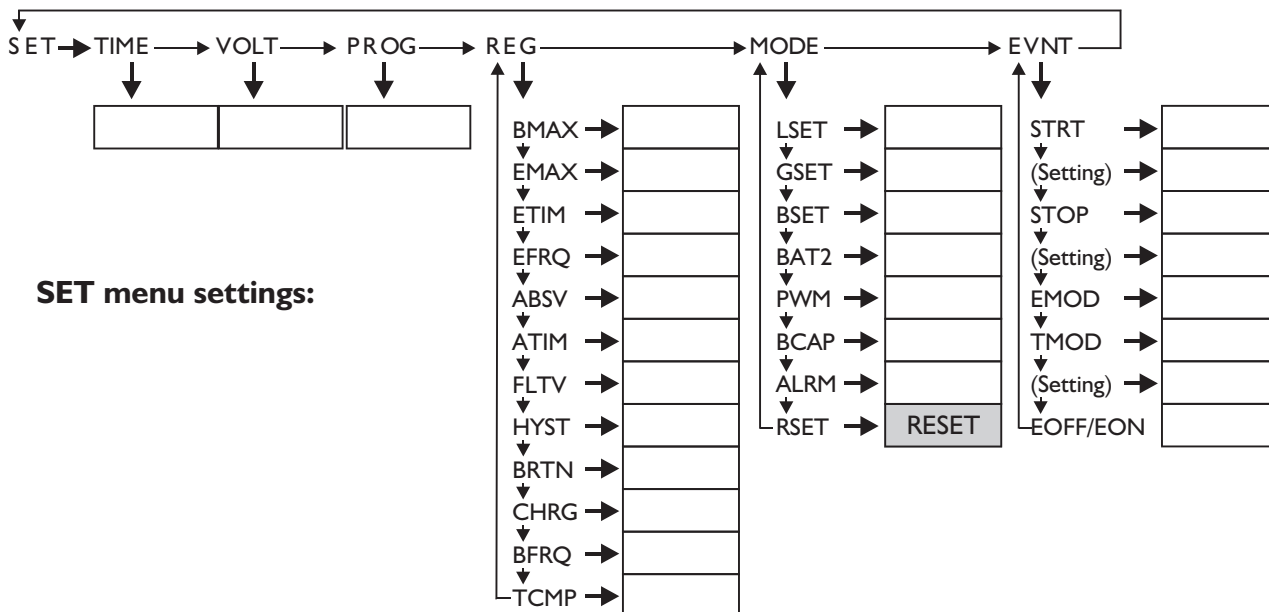
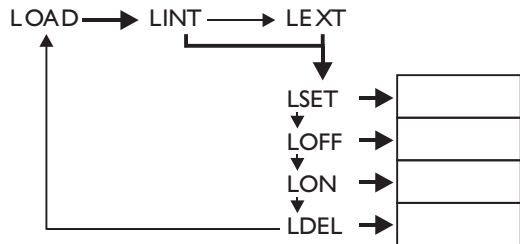
Regulator Model: _____ Serial No: _____ Battery Type: _____ Battery Capacity: _____ No. of Solar panels: _____ Wattage of panels: _____ Total solar input watts: _____	Customer: _____ Phone: _____ E-mail: _____ Address: _____ _____ State: _____ PostCode: _____
--	---

Other Comments: _____

CHRG menu settings:



LOAD menu settings:



SET menu settings:

